

Cutter Mixer 7 LT - Variable Speed, US Plug

ITEM # _____

MODEL # _____

NAME # _____

SIS # _____

AIA # _____



602260 (K70VVEPLUS)

Cutter Mixer 7 lt capacity, variable speed 300-3700 rpm, 1500W. Supplied with micro toothed blade rotor and stainless steel bowl, no scraper. Flat control panel. US plug

Short Form Specification

Item No. _____

Table mounted cutter mixer with stainless steel 7 litre bowl for chopping, mixing, mincing and liquidising in a matter of seconds. Without scraper. Unique bowl design for mixing both large or small quantities, with high chimney to increase the real bowl capacity. With transparent lid and hinged cover, which, when lifted, remains open to permit a fast and easy check of preparation. With Micro toothed blades in 420 AISI stainless steel. All parts in contact with food are easily dismantled and dishwasher safe. Multiple safety devices ensure the machine will only operate when the cover is properly closed and all parts are correctly positioned. Flat and waterproof control panel with on/off button, pulse function and variable speed (from 300 to 3700 rpm).

APPROVAL: _____

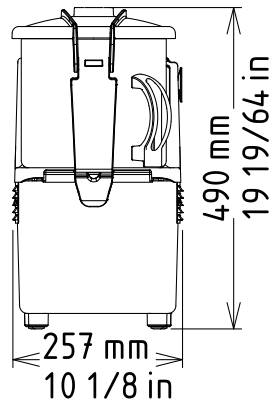
Main Features

- All parts in contact with food are removable without the use of tools, completely dismantable and dishwasher safe.
- Pulse function to coarse chopping.
- Base fixed cover for a better handling.
- Capacity:-cutter mixer working capacity from 5.3 ounces (150 g) to 6.6 lbs (3.5 kg), for 50-150 meals per service.
- Delivered with:
-7 lt stainless steel cutter bowl, transparent lid and microtoothed blade rotor.

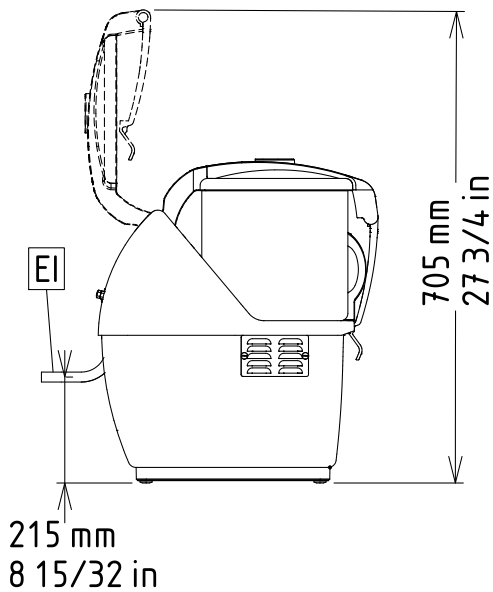
Construction

- Stainless steel bowl has a high chimney to ensure high productivity also when processing liquids (75% of the nominal capacity).
- IPX5 (IP55) flat panel touch-control, watertight panel.
- Compact and portable design.
- Asynchronous industrial motor with no brushes for high reliability and quiet functioning, stainless steel motor shaft.
- Improved ventilation system to manage smoothly heavy duty use.
- Reinforced feet to withstand the repeated handling of the unit.
- Food processing at 10 variable speeds: 300-3700 rpm.
- Power: 2 HP.

Front

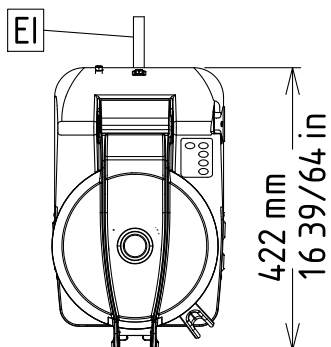


Side



EI = Electrical connection

Top



Electric

Supply voltage:

602260 (K70VVEPLUS) 110-120 V/1N ph/60 Hz

Electrical power, max:

1.5 kW

Plug type:

USA NEMA 5-15P

Capacity:

Performance (up to):

3.5 kg/Cycle

Capacity:

7 Litre

Key Information:

External dimensions, Width: 10 1/16" (256 mm)

External dimensions, Depth: 16 5/8" (422 mm)

External dimensions, Height: 20 9/16" (522 mm)

Shipping width: 23 5/8" (600 mm)